

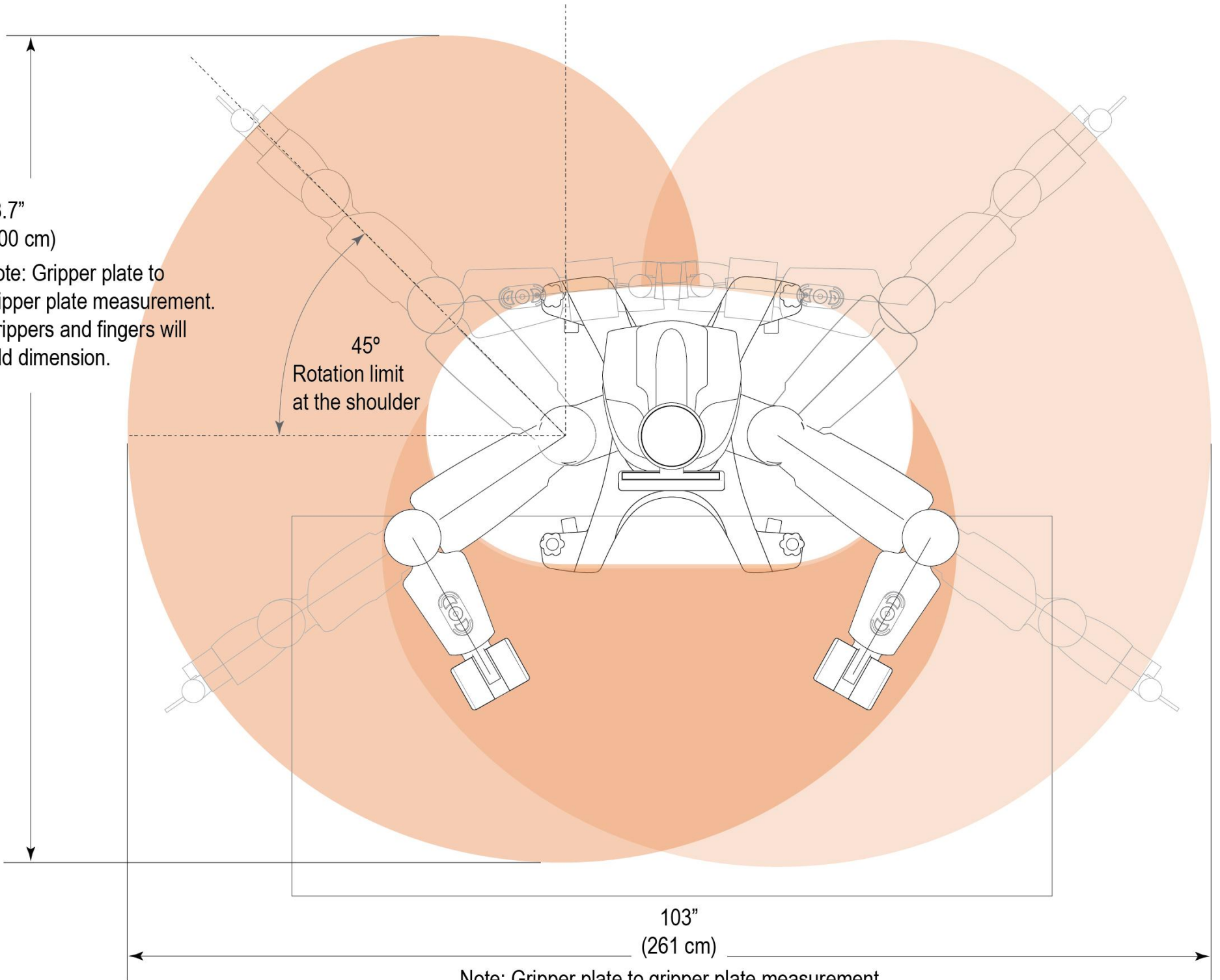
78.7"
(200 cm)

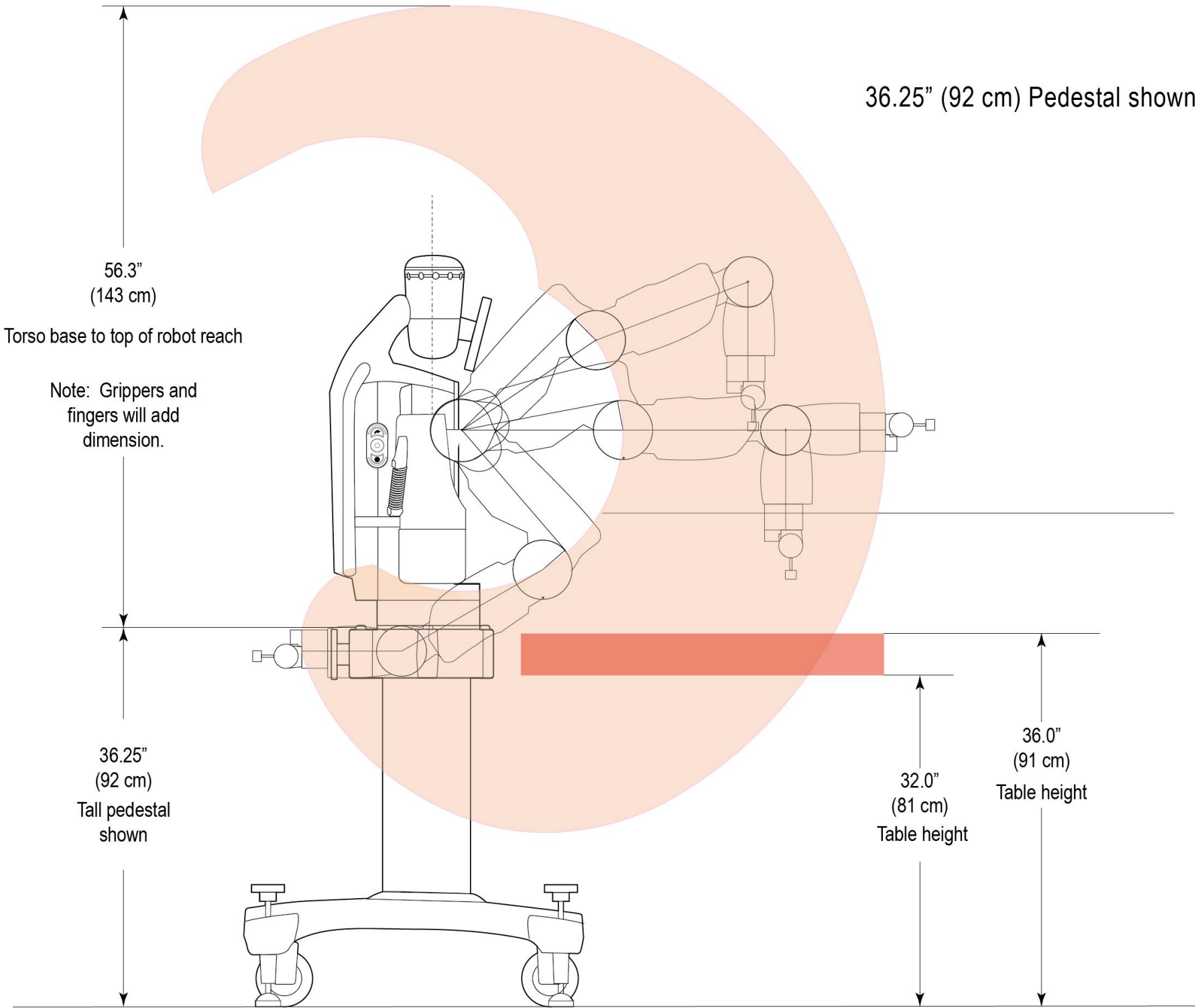
Note: Gripper plate to
gripper plate measurement.
Grippers and fingers will
add dimension.

45°
Rotation limit
at the shoulder

103"
(261 cm)

Note: Gripper plate to gripper plate measurement.
Grippers and fingers will add dimension.





36.25" (92 cm) Pedestal shown

56.3"
(143 cm)

Torso base to top of robot reach

Note: Grippers and
fingers will add
dimension.

36.25"
(92 cm)

Tall pedestal
shown

32.0"
(81 cm)
Table height

36.0"
(91 cm)
Table height

